

### Features

- Transformerless 2-4 wire conversion
- Line state detection outputs
  - - forward current
  - - reverse current
  - - ring ground
  - - tip ground
  - - ringing voltage
- Programmable audio transmit and receive gain
- Loop start or ground start termination
- Selectable 600Ω or AT&T compromise balance network
- -1 version: 20Hz Ringing Voltage
- -2 version: 50Hz Ringing Voltage

### Applications

- PBX
- Channel bank
- Intercom
- Key System

ISSUE 4

April 1995

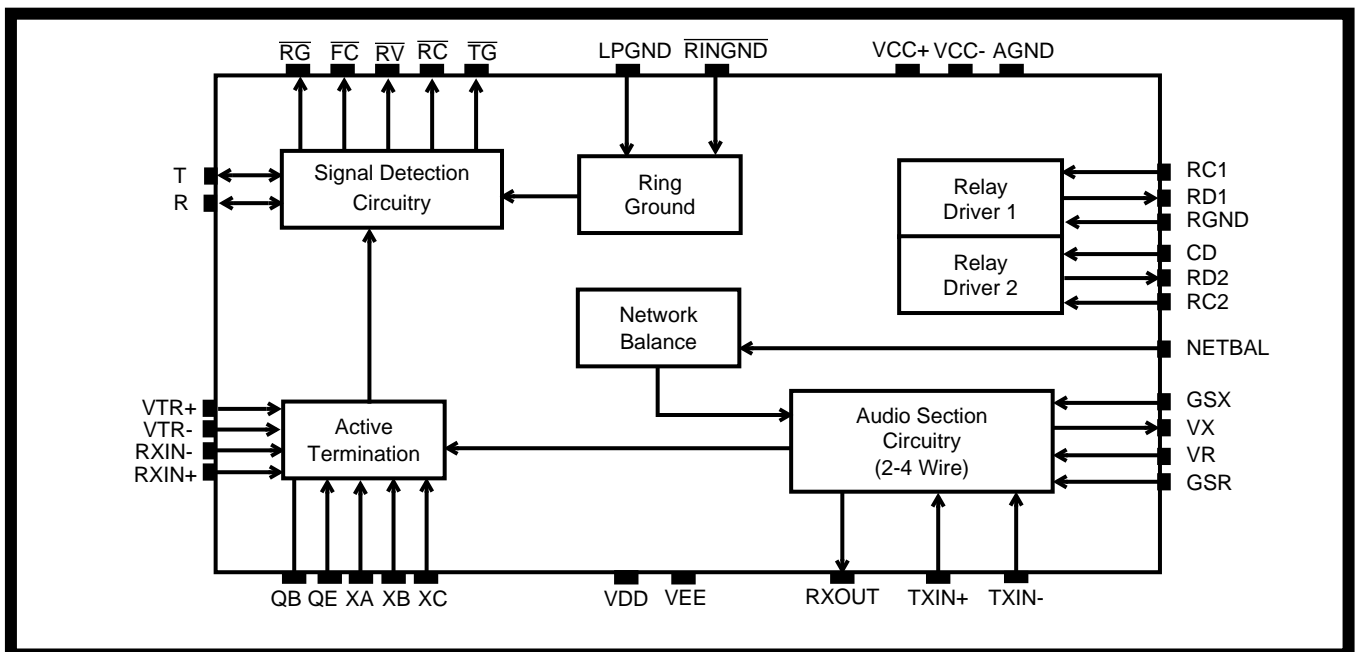
#### Ordering Information

MH88631-1	40 Pin SIL Package
MH88631-2	40 Pin SIL Package

**0°C to 70°C**

### Description

The Mitel MH88631-1, 2 Central Office Trunk Interface circuit provides a complete audio and signalling link between audio switching equipment and a central office. The loop seize circuitry is controlled by an external input to provide either a loop start or ground start termination. The device is fabricated using thick film ceramic technology to achieve high density circuit design.



**Figure 1 - Functional Block Diagram**

Notes: